

DC COOLING FAN

40x40x10mm

- Voltage: 12 & 24 VDC
- Oil Bearing
- Material on housing: Plastic Housing to UL94V-0
- Airflow range: 3.43 - 7.11 CFM
- Suitable for Small Space Cooling
- Spot Cooling



SPECIFICATION

Part No.	Bearing	Voltage(V)	Current(A)	Power(W)	Speed(PRM)	Air flow(CFM)	Pressure(mmAq)	Noise(dB/A)	Weight(g)
DBF4010G05H	Oil	5v	0.19	0.95	6000	7.11	3.89	27.5	14g
DBF4010G05M	Oil	5v	0.11	0.55	4200	4.90	1.91	15.9	14g
DBF4010G12H	Oil	12v	0.10	1.2	6000	7.11	3.89	27.5	14g
DBF4010G12M	Oil	12v	0.08	1.08	4200	4.90	1.91	15.9	14g
DBF4010G12L	Oil	12v	0.08	0.96	3300	3.43	0.36	14.0	14g

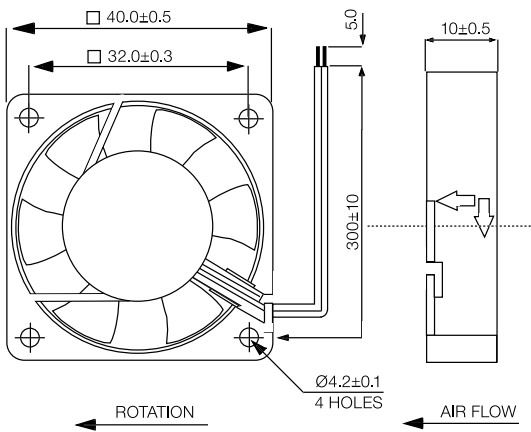
Impeller: Plastic (UL;94V-0)

Protection: Current Limit

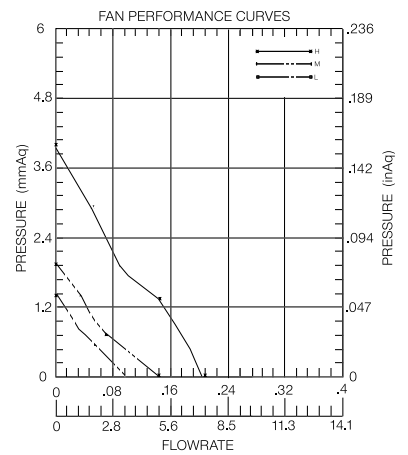
Operating Temp:-10° to 70° C

SECTION 12

EXTERNAL DIMENSIONS



PERFORMANCE CURVE



ORDERING INFORMATION

DBF	4010	G	05	H	
Dubilier Fans	Size	Bearing	Voltage	Airflow	Options
	40x40x10mm	G=Oil	05=5vdc 12=12vdc	H=High M=Medium L=Low	Blank=Standard S=Speed Sensor